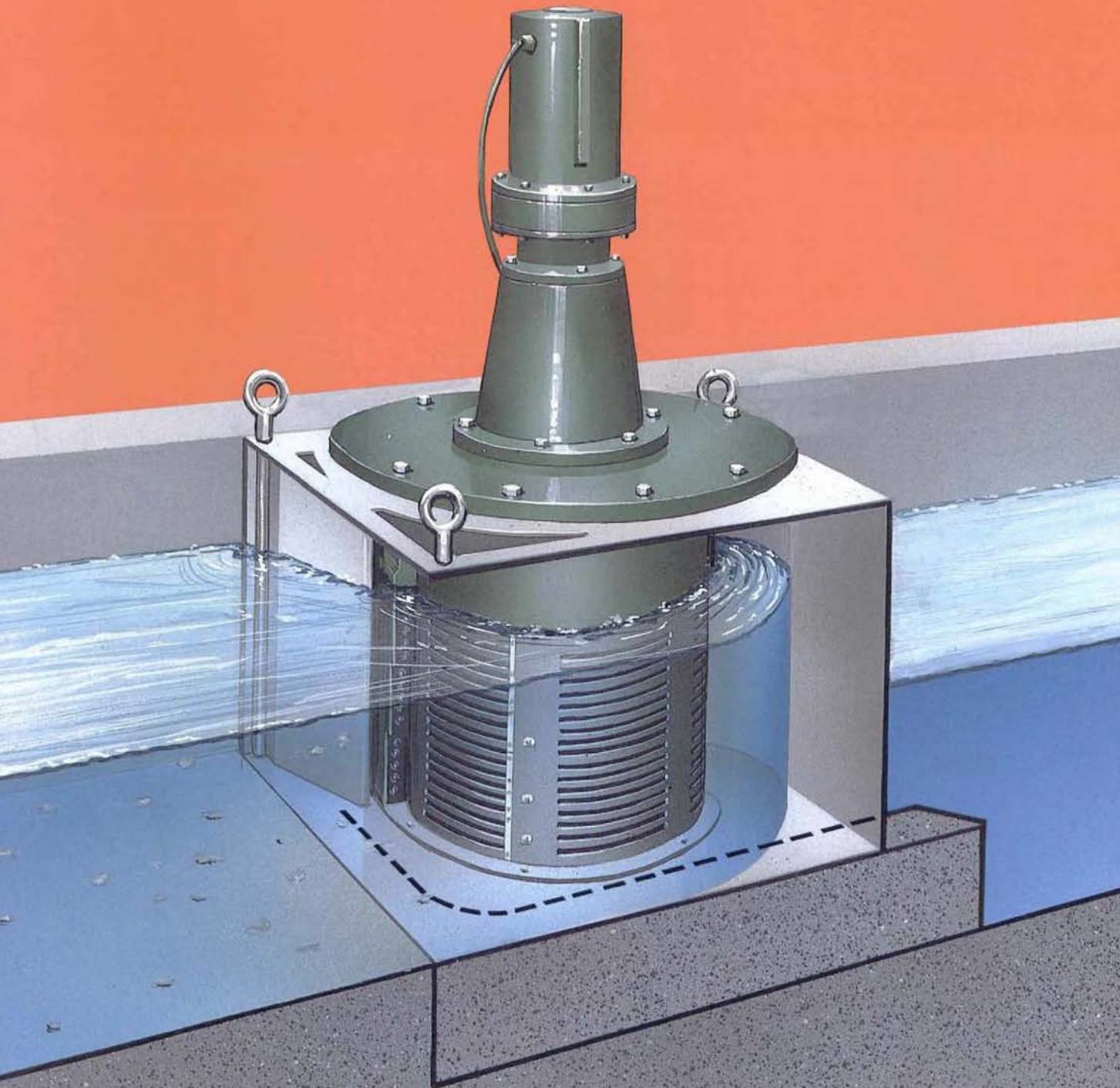


# COMMINUTOR

**WASHING + SCREENING + CUTTING**

**Designed for automatic cutting up of large sewage solids into small particles.  
The comminutor is ideal for sewage treatment plants and pumping stations.**



## INSTALLATION SITE.

1. Urban sewage treatment plants, rural sewage treatment plants and digestion plant.

Comminutors are, in most common cases, installed at very entrance port for sewage flow in the plant, and

automatically cut up suspended solids in the sewage flow without interrupting of it even in momentary stoppage.

### OPEN CHANNEL TYPE



7R  
(0~1m<sup>3</sup>/M)

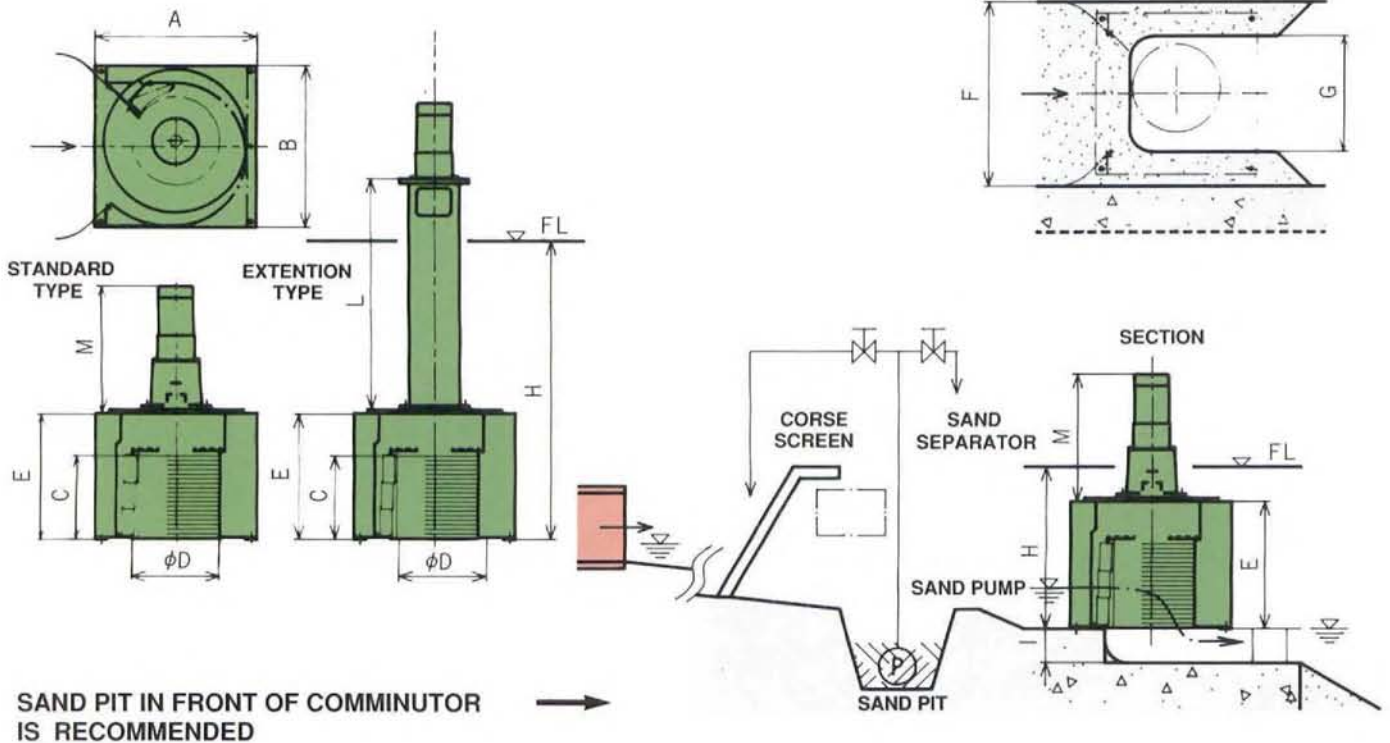


10R  
(~3m<sup>3</sup>/M)



15R  
(~6m<sup>3</sup>/M)

### OPEN TYPE INSTALLATION



## WORKING LIFE TIMES OF COMMINUTORS

According to our past experiences whereas we have installed and commissioned more than 25,000 units in Japan and elsewhere, this is the fact that our comminutors have withstood in rigorous situations over four to five years only with minor repair works of changing few numbers of cutting members.

## OPERATIONAL COST

Very lower expences necessary to run comminutor , extremely small electric power to run the motor fitted, are all needed to be paid.



25RM  
(~16m<sup>3</sup>/M)



25R  
(~29m<sup>3</sup>/M)

### SPECIFICATION

MODEL	CAPACITY (m <sup>3</sup> /min)	A	B	C	φD	E	F	G	H	I	L	M	MOTOR (kw)	WEIGHT (kg)
7R OPEN	0 ~ 1	360	360	150	178	270	400 UP	250		100	≒ FL+ 300	≒300	0.2	100
10R OPEN	~ 3	560	560	220	254	460	600 UP	350		150		≒500	0.4	350
15R OPEN	~ 6	700	700	330	381	550	800 UP	500		200		≒550	0.75	500
25RM OPEN	~16	980	980	360	635	650	1000 UP	800		300		≒750	1.5	1200
25R OPEN	~29	980	980	670	635	1000	1000 UP	800		400		≒750	1.5	2000

(size unit : mm)



SEWAGE INLET 15R



OPEN INLET 10R

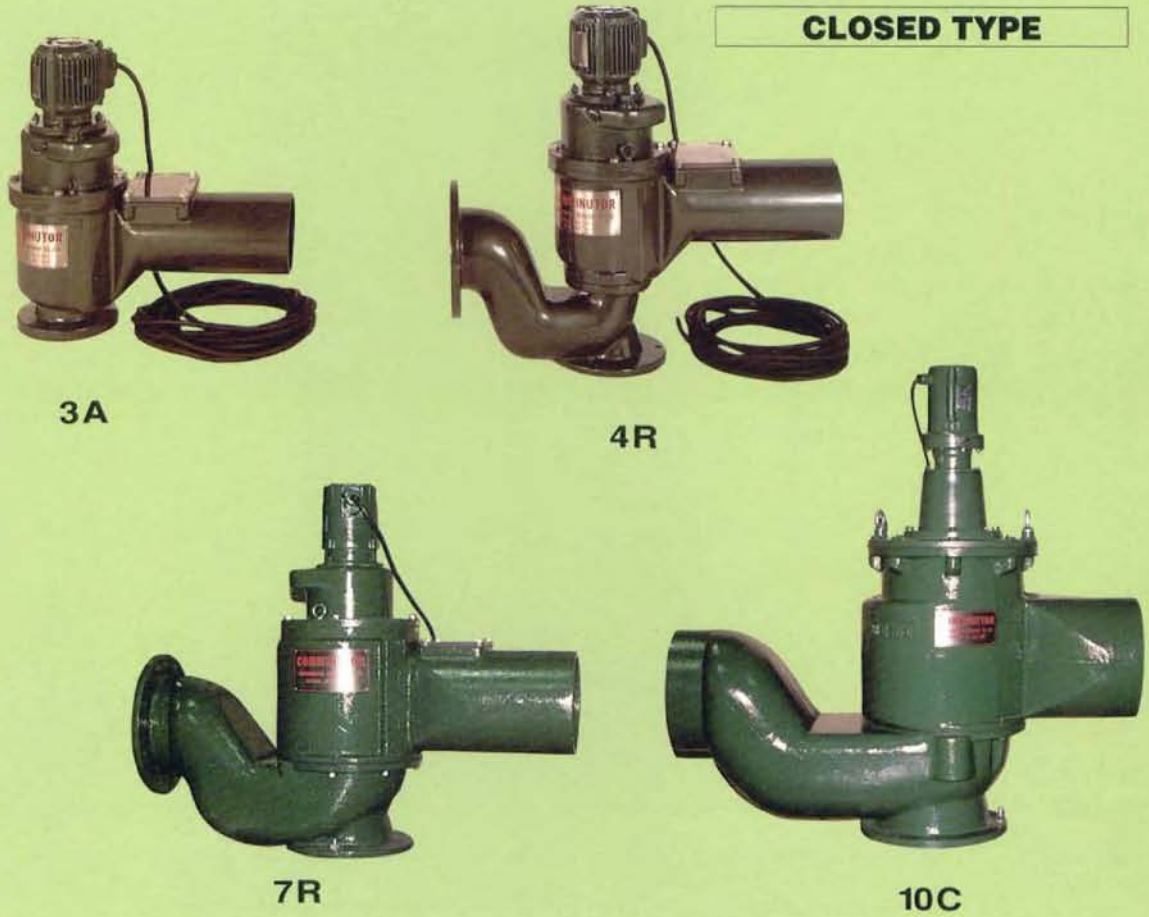


PUMPING STATION 25RM

## FEATURE

The cutting members fitted on our comminutors are all made of stainless steel and tungsten carbide tips are soldered on cutting edges of some members. The cutting members are made of high quality materials

and sold rather cheap prices, replacing members are very easily done even by unexperienced personnel.



3A

4R

7R

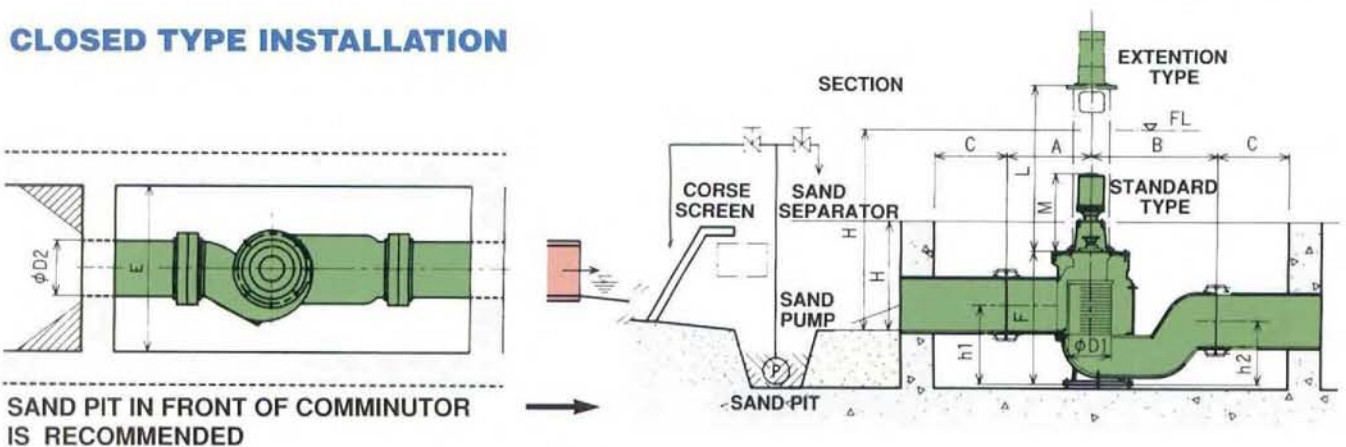
10C

## SPECIFICATION

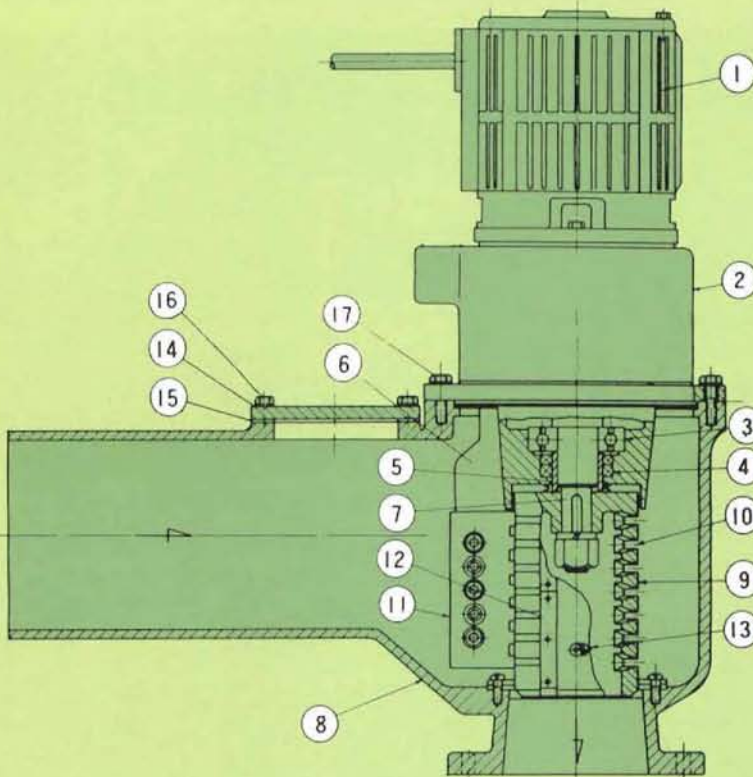
MODEL	CAPACITY (m <sup>3</sup> /min)	A	B	C	φD	φD2	E	F	h1	h2	H	L	M	MOTOR (kw)	WEIGHT (kg)
3A	0~0.2	420	280		100	120	600 UP	349	251	170			≈260	0.2	75
4R	~0.3	460	325		100	165	600 UP	420	320	235			≈260	0.2	100
7R	~1	500	450	200 up	178	220	600 UP	485	325	265			≈300	0.2	130
10C	~3	508	762		254	333	800 UP	804	483	390			≈500	0.4	450
15C	~6	603	762		381	333	1000 UP	930	517	395			FL+300	≈550	0.75

(size unit : mm)

## CLOSED TYPE INSTALLATION

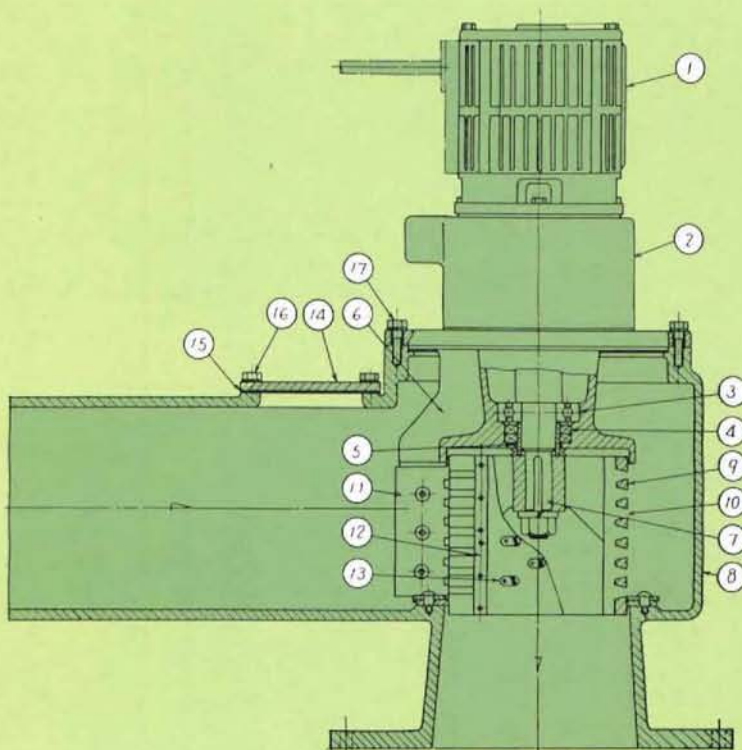


## MODEL 4R COMMINUTOR (DIRECT OUTLET TYPE)



Ref NO.	Description
1. ....	Electric motor.
2. ....	Reduction gear unit.
3. ....	Ball bearing.
4. ....	Oil seal.
5. ....	Collar.
6. ....	Body-cutting assembly.
7. ....	Shaft.
8. ....	Casing.
9. ....	Drum.
10. ....	Slot.
11. ....	Comb.
12. ....	Cutter bar.
13. ....	Cutting teeth.
14. ....	Window inspection.
15. ....	Packing.
16. ....	Bolt-window.
17. ....	Bolt-casing.

## MODEL 7R COMMINUTOR (DIRECT OUTLET TYPE)



Ref NO.	Description
1. ....	Electric motor.
2. ....	Reduction gear unit.
3. ....	Ball bearing.
4. ....	Oil seal.
5. ....	Collar.
6. ....	Body-cutting assembly.
7. ....	Shaft.
8. ....	Casing.
9. ....	Drum.
10. ....	Slot.
11. ....	Comb.
12. ....	Cutter bar.
13. ....	Cutting teeth.
14. ....	Window inspection.
15. ....	Packing.
16. ....	Bolt-window.
17. ....	Bolt-casing.